

810 Invoice

X12/V4010/810: 810 Invoice

Version: 1.0.1 Draft

Author: ScanSource

Publication:

Trading Partner: All Vendors

Notes:

Table of Contents

810 Invoice	1
Branching Diagram - 1	3
Branching Diagram - 2	4
Branching Diagram - 3	5
ISA Interchange Control Header	6
GS Functional Group Header	8
ST Transaction Set Header	10
BIG Beginning Segment for Invoice	11
REF Reference Identification	12
N1 Loop N1	13
N1 Name	14
N3 Address Information	15
N4 Geographic Location	16
ITD Terms of Sale/Deferred Terms of Sale	17
IT1 Loop IT1	18
IT1 Baseline Item Data (Invoice)	19
PID Loop PID	21
PID Product/Item Description	22
REF Reference Identification	23
CAD Carrier Detail	24
TDS Total Monetary Value Summary	25
TXI Tax Information	26
SAC Loop SAC	27
SAC Service, Promotion, Allowance, or Charge Information	28
CTT Transaction Totals	30
SE Transaction Set Trailer	31
GE Functional Group Trailer	32
IEA Interchange Control Trailer	33

810 Invoice

Functional Group=IN

This Draft Standard for Trial Use contains the format and establishes the data contents of the Invoice Transaction Set (810) for use within the context of an Electronic Data Interchange (EDI) environment. The transaction set can be used to provide for customary and established business and industry practice relative to the billing for goods and services provided.

Not Defined:

<u>Pos</u>	<u>Id</u>	<u>Segment Name</u>	<u>Req</u>	<u>Max Use</u>	<u>Repeat</u>	<u>Notes</u>	<u>Usage</u>
	ISA	Interchange Control Header	M	1			Must use
	GS	Functional Group Header	M	1			Must use

Heading:

<u>Pos</u>	<u>Id</u>	<u>Segment Name</u>	<u>Req</u>	<u>Max Use</u>	<u>Repeat</u>	<u>Notes</u>	<u>Usage</u>
010	ST	Transaction Set Header	M	1			Must use
020	BIG	Beginning Segment for Invoice	M	1			Must use
050	REF	Reference Identification	O	12			Used
LOOP ID - N1					200		
070	N1	Name	O	1			Used
090	N3	Address Information	O	2			Used
100	N4	Geographic Location	O	1			Used
130	ITD	Terms of Sale/Deferred Terms of Sale	O	>1			Used

Detail:

<u>Pos</u>	<u>Id</u>	<u>Segment Name</u>	<u>Req</u>	<u>Max Use</u>	<u>Repeat</u>	<u>Notes</u>	<u>Usage</u>
LOOP ID - IT1					200000		
010	IT1	Baseline Item Data (Invoice)	O	1			Must use
LOOP ID - PID					1000		
060	PID	Product/Item Description	O	1			Used
120	REF	Reference Identification	O	>1			Recommended
160	CAD	Carrier Detail	O	>1			Used

Summary:

<u>Pos</u>	<u>Id</u>	<u>Segment Name</u>	<u>Req</u>	<u>Max Use</u>	<u>Repeat</u>	<u>Notes</u>	<u>Usage</u>
010	TDS	Total Monetary Value Summary	M	1			Must use
020	TXI	Tax Information	O	10			Used
LOOP ID - SAC					25		
040	SAC	Service, Promotion, Allowance, or Charge Information	O	1			Used
070	CTT	Transaction Totals	O	1		N3/070	Must use
080	SE	Transaction Set Trailer	M	1			Must use

Not Defined:

<u>Pos</u>	<u>Id</u>	<u>Segment Name</u>	<u>Req</u>	<u>Max Use</u>	<u>Repeat</u>	<u>Notes</u>	<u>Usage</u>
	GE	Functional Group Trailer	M	1			Must use
	IEA	Interchange Control Trailer	M	1			Must use

Notes:

3/070 Number of line items (CTT01) is the accumulation of the number of IT1 segments. If used, hash total (CTT02) is the sum of the value of quantities invoiced (IT102) for each IT1 segment.

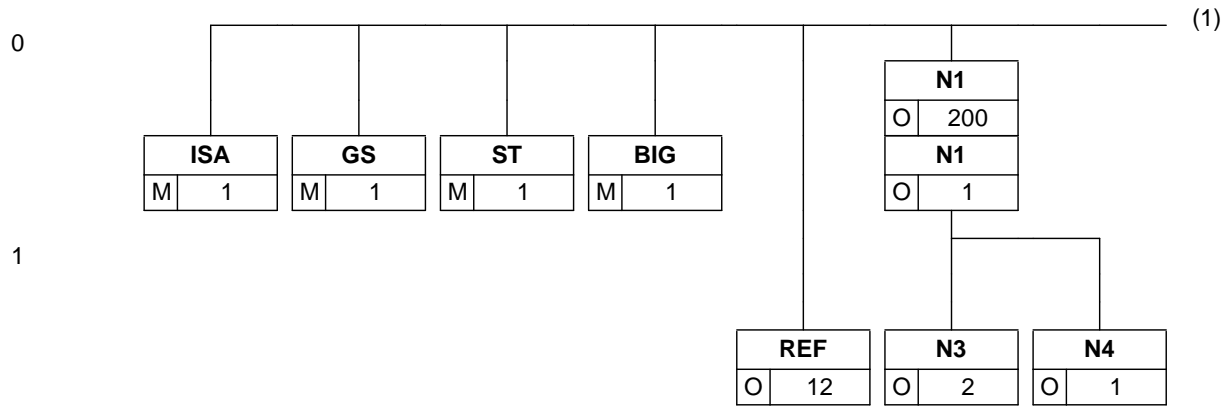
User Note 1:

All monetary values must be positive. If sending a credit invoice use the BIG-07 element to indicate the credit.

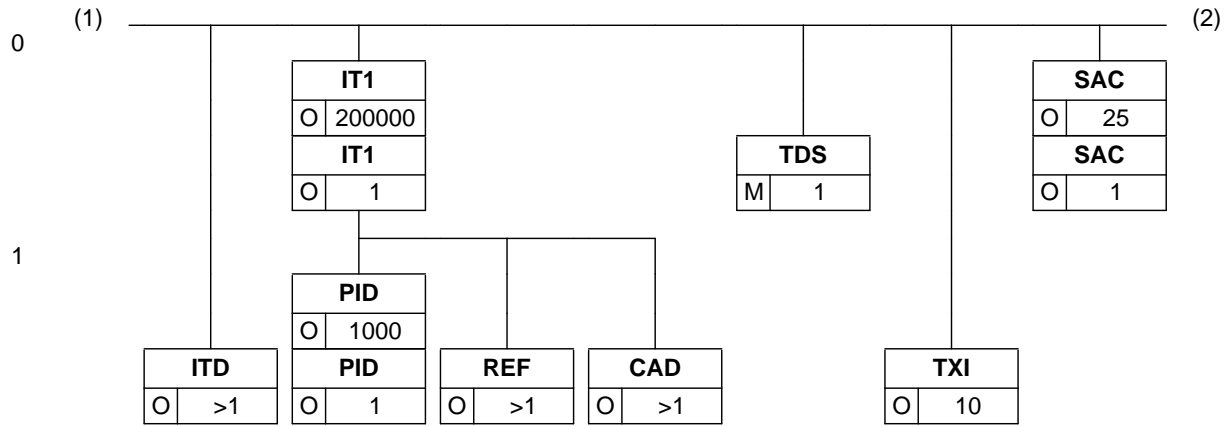
User Note 2:

If sending an invoice for just freight, you must include the ScanSource purchase order number and all of the associated line items with the quantities zeroed out and the freight charge in the SAC segment.

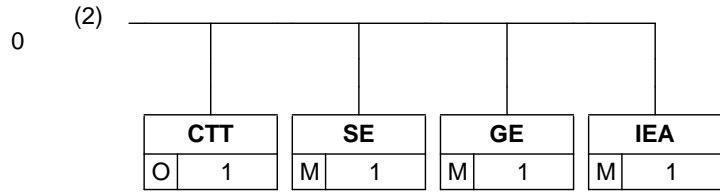
Branching Diagram: 810(Invoice)



Branching Diagram: 810(Invoice)



Branching Diagram: 810(Invoice)



ISA Interchange Control Header

Pos:	Max: 1
Not Defined - Mandatory	
Loop: N/A	Elements: 16

User Option (Usage): Must use

To start and identify an interchange of zero or more functional groups and interchange-related control segments

Element Summary:

<u>Ref</u>	<u>Id</u>	<u>Element Name</u>	<u>Req</u>	<u>Type</u>	<u>Min/Max</u>	<u>Usage</u>
ISA01	I01	Authorization Information Qualifier	M	ID	2/2	Not used
		Description: Code to identify the type of information in the Authorization Information All valid standard codes are used.				
ISA02	I02	Authorization Information	M	AN	10/10	Must use
		Description: Information used for additional identification or authorization of the interchange sender or the data in the interchange; the type of information is set by the Authorization Information Qualifier (I01)				
ISA03	I03	Security Information Qualifier	M	ID	2/2	Not used
		Description: Code to identify the type of information in the Security Information All valid standard codes are used.				
ISA04	I04	Security Information	M	AN	10/10	Must use
		Description: This is used for identifying the security information about the interchange sender or the data in the interchange; the type of information is set by the Security Information Qualifier (I03)				
ISA05	I05	Interchange ID Qualifier	M	ID	2/2	Must use
		Description: Qualifier to designate the system/method of code structure used to designate the sender or receiver ID element being qualified All valid standard codes are used.				
ISA06	I06	Interchange Sender ID	M	AN	15/15	Must use
		Description: Identification code published by the sender for other parties to use as the receiver ID to route data to them; the sender always codes this value in the sender ID element				
ISA07	I05	Interchange ID Qualifier	M	ID	2/2	Must use
		Description: Qualifier to designate the system/method of code structure used to designate the sender or receiver ID element being qualified				
		Code Name				
		12 Phone (Telephone Companies)				
ISA08	I07	Interchange Receiver ID	M	AN	15/15	Must use
		Description: Identification code published by the receiver of the data; When sending, it is used by the sender as their sending ID, thus other parties sending to them will use this as a receiving ID to route data to them				

<u>Ref</u>	<u>Id</u>	<u>Element Name</u>	<u>Req</u>	<u>Type</u>	<u>Min/Max</u>	<u>Usage</u>
<p style="text-align: center;"> CATALYST: 8003905376 PARACON: 8009981221 User Note 1: SCANSOURCE: 8642882432 SCANSOURCE SECURITY: 8009648994 TEST: 8643298222 </p>						
ISA09	I08	Interchange Date	M	DT	6/6	Must use
Description: Date of the interchange						
ISA10	I09	Interchange Time	M	TM	4/4	Must use
Description: Time of the interchange						
ISA11	I10	Interchange Control Standards Identifier	M	ID	1/1	Must use
Description: Code to identify the agency responsible for the control standard used by the message that is enclosed by the interchange header and trailer						
All valid standard codes are used.						
ISA12	I11	Interchange Control Version Number	M	ID	5/5	Must use
Description: Code specifying the version number of the interchange control segments						
All valid standard codes are used.						
ISA13	I12	Interchange Control Number	M	N0	9/9	Must use
Description: A control number assigned by the interchange sender						
ISA14	I13	Acknowledgment Requested	M	ID	1/1	Must use
Description: Code sent by the sender to request an interchange acknowledgment (TA1)						
All valid standard codes are used.						
ISA15	I14	Usage Indicator	M	ID	1/1	Must use
Description: Code to indicate whether data enclosed by this interchange envelope is test, production or information						
All valid standard codes are used.						
ISA16	I15	Component Element Separator	M		1/1	Must use
Description: Type is not applicable; the component element separator is a delimiter and not a data element; this field provides the delimiter used to separate component data elements within a composite data structure; this value must be different than the data element separator and the segment terminator						

GS Functional Group Header

Pos:	Max: 1
Not Defined - Mandatory	
Loop: N/A	Elements: 8

User Option (Usage): Must use

To indicate the beginning of a functional group and to provide control information

Element Summary:

<u>Ref</u>	<u>Id</u>	<u>Element Name</u>	<u>Req</u>	<u>Type</u>	<u>Min/Max</u>	<u>Usage</u>
GS01	479	Functional Identifier Code	M	ID	2/2	Must use

Description: Code identifying a group of application related transaction sets

Code Name

IN Invoice Information (810,819)

GS02	142	Application Sender's Code	M	AN	2/15	Must use
------	-----	----------------------------------	---	----	------	----------

Description: Code identifying party sending transmission; codes agreed to by trading partners

GS03	124	Application Receiver's Code	M	AN	2/15	Must use
------	-----	------------------------------------	---	----	------	----------

Description: Code identifying party receiving transmission; codes agreed to by trading partners

User Note 1:
 CATALYST: 8003905376
 PARACON: 8009981221
 SCANSOURCE: 8642882432
 SCANSOURCE SECURITY: 8009648994
 TEST: 8643298222

GS04	373	Date	M	DT	8/8	Must use
------	-----	-------------	---	----	-----	----------

Description: Date expressed as CCYYMMDD

GS05	337	Time	M	TM	4/8	Must use
------	-----	-------------	---	----	-----	----------

Description: Time expressed in 24-hour clock time as follows: HHMM, or HHMMSS, or HHMMSSD, or HHMMSSDD, where H = hours (00-23), M = minutes (00-59), S = integer seconds (00-59) and DD = decimal seconds; decimal seconds are expressed as follows: D = tenths (0-9) and DD = hundredths (00-99)

GS06	28	Group Control Number	M	N0	1/9	Must use
------	----	-----------------------------	---	----	-----	----------

Description: Assigned number originated and maintained by the sender

GS07	455	Responsible Agency Code	M	ID	1/2	Must use
------	-----	--------------------------------	---	----	-----	----------

Description: Code identifying the issuer of the standard; this code is used in conjunction with Data Element 480

All valid standard codes are used.

GS08	480	Version / Release / Industry Identifier Code	M	AN	1/12	Must use
------	-----	---	---	----	------	----------

Description: Code indicating the version, release, subrelease, and industry identifier of the EDI standard being used, including the GS and GE segments; if code in DE455 in GS segment is X, then in DE 480 positions 1-3 are the version number; positions 4-6 are the

<u>Ref</u>	<u>Id</u>	<u>Element Name</u>	<u>Req</u>	<u>Type</u>	<u>Min/Max</u>	<u>Usage</u>
		release and subrelease, level of the version; and positions 7-12 are the industry or trade association identifiers (optionally assigned by user); if code in DE455 in GS segment is T, then other formats are allowed				
		<u>Code</u>				
		<u>Name</u>				
		004010				Draft Standards Approved for Publication by ASC X12 Procedures Review Board through October 1997

Semantics:

1. GS04 is the group date.
2. GS05 is the group time.
3. The data interchange control number GS06 in this header must be identical to the same data element in the associated functional group trailer, GE02.

Comments:

1. A functional group of related transaction sets, within the scope of X12 standards, consists of a collection of similar transaction sets enclosed by a functional group header and a functional group trailer.

ST Transaction Set Header

Pos: 010	Max: 1
Heading - Mandatory	
Loop: N/A	Elements: 2

User Option (Usage): Must use

To indicate the start of a transaction set and to assign a control number

Element Summary:

<u>Ref</u>	<u>Id</u>	<u>Element Name</u>	<u>Req</u>	<u>Type</u>	<u>Min/Max</u>	<u>Usage</u>
ST01	143	Transaction Set Identifier Code	M	ID	3/3	Must use
		Description: Code uniquely identifying a Transaction Set All valid standard codes are used.				
ST02	329	Transaction Set Control Number	M	AN	4/9	Must use
		Description: Identifying control number that must be unique within the transaction set functional group assigned by the originator for a transaction set				

Semantics:

1. The transaction set identifier (ST01) used by the translation routines of the interchange partners to select the appropriate transaction set definition (e.g., 810 selects the Invoice Transaction Set).

BIG Beginning Segment for Invoice

Pos: 020	Max: 1
Heading - Mandatory	
Loop: N/A	Elements: 5

User Option (Usage): Must use

To indicate the beginning of an invoice transaction set and transmit identifying numbers and dates

Element Summary:

<u>Ref</u>	<u>Id</u>	<u>Element Name</u>	<u>Req</u>	<u>Type</u>	<u>Min/Max</u>	<u>Usage</u>
BIG01	373	Date	M	DT	8/8	Must use
		Description: Date expressed as CCYYMMDD				
BIG02	76	Invoice Number	M	AN	1/22	Must use
		Description: Identifying number assigned by issuer				
BIG03	373	Date	O	DT	8/8	Must use
		Description: Date expressed as CCYYMMDD				
BIG04	324	Purchase Order Number	O	AN	1/22	Must use
		Description: Identifying number for Purchase Order assigned by the orderer/purchaser				
BIG07	640	Transaction Type Code	O	ID	2/2	Used
		Description: Code specifying the type of transaction				
		Code	Name			
		CN	Credit Invoice			
		DI	Debit Invoice			

Semantics:

1. BIG01 is the invoice issue date.
2. BIG03 is the date assigned by the purchaser to purchase order.
3. BIG10 indicates the consolidated invoice number. When BIG07 contains code CI, BIG10 is not used.

Comments:

1. BIG07 is used only to further define the type of invoice when needed.

REF Reference Identification

Pos: 050	Max: 12
Heading - Optional	
Loop: N/A	Elements: 2

User Option (Usage): Used

To specify identifying information

Element Summary:

<u>Ref</u>	<u>Id</u>	<u>Element Name</u>	<u>Req</u>	<u>Type</u>	<u>Min/Max</u>	<u>Usage</u>
REF01	128	Reference Identification Qualifier	M	ID	2/3	Must use

Description: Code qualifying the Reference Identification

Code Name

2I Tracking Number
 AW Air Waybill Number
 VN Vendor Order Number

REF02	127	Reference Identification	X	AN	1/30	Used
-------	-----	---------------------------------	---	----	------	------

Description: Reference information as defined for a particular Transaction Set or as specified by the Reference Identification Qualifier

Syntax Rules:

1. R0203 - At least one of REF02 or REF03 is required.

Semantics:

1. REF04 contains data relating to the value cited in REF02.

Loop N1

Pos: 070	Repeat: 200
Optional	
Loop: N1	Elements: N/A

User Option (Usage): Used

To identify a party by type of organization, name, and code

Loop Summary:

<u>Pos</u>	<u>Id</u>	<u>Segment Name</u>	<u>Req</u>	<u>Max Use</u>	<u>Repeat</u>	<u>Usage</u>
070	N1	Name	O	1		Used
090	N3	Address Information	O	2		Used
100	N4	Geographic Location	O	1		Used

N1 Name

Pos: 070	Max: 1
Heading - Optional	
Loop: N1	Elements: 2

User Option (Usage): Used

To identify a party by type of organization, name, and code

Element Summary:

<u>Ref</u>	<u>Id</u>	<u>Element Name</u>	<u>Req</u>	<u>Type</u>	<u>Min/Max</u>	<u>Usage</u>
N101	98	Entity Identifier Code	M	ID	2/3	Must use
		Description: Code identifying an organizational entity, a physical location, property or an individual				
		Code Name				
		BT		Bill-to-Party		
		ST		Ship To		
N102	93	Name	X	AN	1/60	Used
		Description: Free-form name				

Syntax Rules:

1. R0203 - At least one of N102 or N103 is required.
2. P0304 - If either N103 or N104 is present, then the other is required.

Comments:

1. This segment, used alone, provides the most efficient method of providing organizational identification. To obtain this efficiency the "ID Code" (N104) must provide a key to the table maintained by the transaction processing party.
2. N105 and N106 further define the type of entity in N101.

N3 Address Information

Pos: 090	Max: 2
Heading - Optional	
Loop: N1	Elements: 2

User Option (Usage): Used

To specify the location of the named party

Element Summary:

<u>Ref</u>	<u>Id</u>	<u>Element Name</u>	<u>Req</u>	<u>Type</u>	<u>Min/Max</u>	<u>Usage</u>
N301	166	Address Information	M	AN	1/55	Must use
		Description: Address information				
N302	166	Address Information	O	AN	1/55	Used
		Description: Address information				

N4 Geographic Location

Pos: 100	Max: 1
Heading - Optional	
Loop: N1	Elements: 6

User Option (Usage): Used

To specify the geographic place of the named party

Element Summary:

<u>Ref</u>	<u>Id</u>	<u>Element Name</u>	<u>Req</u>	<u>Type</u>	<u>Min/Max</u>	<u>Usage</u>
N401	19	City Name	O	AN	2/30	Used
		Description: Free-form text for city name				
N402	156	State or Province Code	O	ID	2/2	Used
		Description: Code (Standard State/Province) as defined by appropriate government agency				
N403	116	Postal Code	O	ID	3/15	Used
		Description: Code defining international postal zone code excluding punctuation and blanks (zip code for United States)				
N404	26	Country Code	O	ID	2/3	Used
		Description: Code identifying the country				
N405	309	Location Qualifier	X	ID	1/2	Used
		Description: Code identifying type of location All valid standard codes are used.				
N406	310	Location Identifier	O	AN	1/30	Used
		Description: Code which identifies a specific location				

Syntax Rules:

1. C0605 - If N406 is present, then N405 is required.

Comments:

1. A combination of either N401 through N404, or N405 and N406 may be adequate to specify a location.
2. N402 is required only if city name (N401) is in the U.S. or Canada.

ITD Terms of Sale/Deferred Terms of Sale

Pos: 130	Max: >1
Heading - Optional	
Loop: N/A	Elements: 6

User Option (Usage): Used

To specify terms of sale

Element Summary:

<u>Ref</u>	<u>Id</u>	<u>Element Name</u>	<u>Req</u>	<u>Type</u>	<u>Min/Max</u>	<u>Usage</u>
ITD01	336	Terms Type Code	O	ID	2/2	Used
		Description: Code identifying type of payment terms				
		<u>Code</u> <u>Name</u>				
		01 Basic				
ITD02	333	Terms Basis Date Code	O	ID	1/2	Used
		Description: Code identifying the beginning of the terms period				
		<u>Code</u> <u>Name</u>				
		3 Invoice Date				
ITD03	338	Terms Discount Percent	O	R	1/6	Used
		Description: Terms discount percentage, expressed as a percent, available to the purchaser if an invoice is paid on or before the Terms Discount Due Date				
ITD05	351	Terms Discount Days Due	X	NO	1/3	Used
		Description: Number of days in the terms discount period by which payment is due if terms discount is earned				
ITD07	386	Terms Net Days	O	NO	1/3	Used
		Description: Number of days until total invoice amount is due (discount not applicable)				
ITD12	352	Description	O	AN	1/80	Used
		Description: A free-form description to clarify the related data elements and their content				

Syntax Rules:

1. L03040513 - If ITD03 is present, then at least one of ITD04, ITD05 or ITD13 is required.
2. L08040513 - If ITD08 is present, then at least one of ITD04, ITD05 or ITD13 is required.
3. L091011 - If ITD09 is present, then at least one of ITD10 or ITD11 is required.

Semantics:

1. ITD15 is the percentage applied to a base amount used to determine a late payment charge.

Comments:

1. If the code in ITD01 is "04", then ITD07 or ITD09 is required and either ITD10 or ITD11 is required; if the code in ITD01 is "05", then ITD06 or ITD07 is required.

Loop IT1

Pos: 010	Repeat: 200000
Optional	
Loop: IT1	Elements: N/A

User Option (Usage): Must use

To specify the basic and most frequently used line item data for the invoice and related transactions

Loop Summary:

<u>Pos</u>	<u>Id</u>	<u>Segment Name</u>	<u>Req</u>	<u>Max Use</u>	<u>Repeat</u>	<u>Usage</u>
010	IT1	Baseline Item Data (Invoice)	O	1		Must use
060		Loop PID	O		1000	Used
120	REF	Reference Identification	O	>1		Recommended
160	CAD	Carrier Detail	O	>1		Used

IT1 Baseline Item Data (Invoice)

Pos: 010	Max: 1
Detail - Optional	
Loop: IT1	Elements: 11

User Option (Usage): Must use

To specify the basic and most frequently used line item data for the invoice and related transactions

Element Summary:

<u>Ref</u>	<u>Id</u>	<u>Element Name</u>	<u>Req</u>	<u>Type</u>	<u>Min/Max</u>	<u>Usage</u>
IT101	350	Assigned Identification	O	AN	1/20	Not recommended
Description: Alphanumeric characters assigned for differentiation within a transaction set						
User Note 1: <i>The IT1-01 should be the ScanSource purchase order line item number.</i>						
IT102	358	Quantity Invoiced	X	R	1/10	Must use
Description: Number of units invoiced (supplier units)						
IT103	355	Unit or Basis for Measurement Code	X	ID	2/2	Must use
Description: Code specifying the units in which a value is being expressed, or manner in which a measurement has been taken						
User Note 1: <i>ScanSource only orders in 'each'. We will accept invoices in 'each', 'piece' or 'unit' but they are all considered an 'each'.</i>						
User Note 2: <i>Special arrangements must be made for any unit of measure not listed below.</i>						
Code Name						
EA Each						
PC Piece						
UN Unit						
IT104	212	Unit Price	X	R	1/17	Must use
Description: Price per unit of product, service, commodity, etc.						
IT105	639	Basis of Unit Price Code	O	ID	2/2	Not used
Description: Code identifying the type of unit price for an item						
All valid standard codes are used.						
IT106	235	Product/Service ID Qualifier	X	ID	2/2	Must use
Description: Code identifying the type/source of the descriptive number used in Product/Service ID (234)						
Code Name						
MG Manufacturer's Part Number						
IT107	234	Product/Service ID	X	AN	1/48	Must use
Description: Identifying number for a product or service						
IT108	235	Product/Service ID Qualifier	X	ID	2/2	Used
Description: Code identifying the type/source of the descriptive number used in Product/Service ID (234)						

		<u>Code</u>	<u>Name</u>				
		BP	Buyer's Part Number				
IT109	234	Product/Service ID		X	AN	1/48	Used
Description: Identifying number for a product or service							
IT110	235	Product/Service ID Qualifier		X	ID	2/2	Used
Description: Code identifying the type/source of the descriptive number used in Product/Service ID (234)							
		<u>Code</u>	<u>Name</u>				
		VP	Vendor's (Seller's) Part Number				
IT111	234	Product/Service ID		X	AN	1/48	Used
Description: Identifying number for a product or service							

Syntax Rules:

1. P020304 - If either IT102, IT103 or IT104 are present, then the others are required.
2. P0607 - If either IT106 or IT107 is present, then the other is required.
3. P0809 - If either IT108 or IT109 is present, then the other is required.
4. P1011 - If either IT110 or IT111 is present, then the other is required.
5. P1213 - If either IT112 or IT113 is present, then the other is required.
6. P1415 - If either IT114 or IT115 is present, then the other is required.
7. P1617 - If either IT116 or IT117 is present, then the other is required.
8. P1819 - If either IT118 or IT119 is present, then the other is required.
9. P2021 - If either IT120 or IT121 is present, then the other is required.
10. P2223 - If either IT122 or IT123 is present, then the other is required.
11. P2425 - If either IT124 or IT125 is present, then the other is required.

Semantics:

1. IT101 is the purchase order line item identification.

Comments:

1. Element 235/234 combinations should be interpreted to include products and/or services. See the Data Dictionary for a complete list of IDs.
2. IT106 through IT125 provide for ten different product/service IDs for each item. For example: Case, Color, Drawing No., U.P.C. No., ISBN No., Model No., or SKU.

Loop PID

Pos: 060	Repeat: 1000
Optional	
Loop: PID	Elements: N/A

User Option (Usage): Used

To describe a product or process in coded or free-form format

Loop Summary:

<u>Pos</u>	<u>Id</u>	<u>Segment Name</u>	<u>Req</u>	<u>Max Use</u>	<u>Repeat</u>	<u>Usage</u>
060	PID	Product/Item Description	O	1		Used

PID Product/Item Description

Pos: 060	Max: 1
Detail - Optional	
Loop: PID	Elements: 2

User Option (Usage): Used

To describe a product or process in coded or free-form format

Element Summary:

<u>Ref</u>	<u>Id</u>	<u>Element Name</u>	<u>Req</u>	<u>Type</u>	<u>Min/Max</u>	<u>Usage</u>
PID01	349	Item Description Type	M	ID	1/1	Must use
		Description: Code indicating the format of a description All valid standard codes are used.				
PID05	352	Description	X	AN	1/80	Used
		Description: A free-form description to clarify the related data elements and their content				

Syntax Rules:

1. C0403 - If PID04 is present, then PID03 is required.
2. R0405 - At least one of PID04 or PID05 is required.
3. C0703 - If PID07 is present, then PID03 is required.
4. C0804 - If PID08 is present, then PID04 is required.
5. C0905 - If PID09 is present, then PID05 is required.

Semantics:

1. Use PID03 to indicate the organization that publishes the code list being referred to.
2. PID04 should be used for industry-specific product description codes.
3. PID08 describes the physical characteristics of the product identified in PID04. A "Y" indicates that the specified attribute applies to this item; an "N" indicates it does not apply. Any other value is indeterminate.
4. PID09 is used to identify the language being used in PID05.

Comments:

1. If PID01 equals "F", then PID05 is used. If PID01 equals "S", then PID04 is used. If PID01 equals "X", then both PID04 and PID05 are used.
2. Use PID06 when necessary to refer to the product surface or layer being described in the segment.
3. PID07 specifies the individual code list of the agency specified in PID03.

REF Reference Identification

Pos: 120	Max: >1
Detail - Optional	
Loop: IT1	Elements: 2

User Option (Usage): Recommended

To specify identifying information

Element Summary:

<u>Ref</u>	<u>Id</u>	<u>Element Name</u>	<u>Req</u>	<u>Type</u>	<u>Min/Max</u>	<u>Usage</u>
REF01	128	Reference Identification Qualifier	M	ID	2/3	Must use

Description: Code qualifying the Reference Identification

Code Name

SN Seal Number

REF02	127	Reference Identification	X	AN	1/30	Used
-------	-----	--------------------------	---	----	------	------

Description: Reference information as defined for a particular Transaction Set or as specified by the Reference Identification Qualifier

Syntax Rules:

1. R0203 - At least one of REF02 or REF03 is required.

Semantics:

1. REF04 contains data relating to the value cited in REF02.

User Note 1:

Serial numbers are extremely important to ScanSource and while this segment is not mandatory as not all parts have serial numbers, please, ensure that all serial numbers are communicated to ScanSource via this REF segment.

CAD Carrier Detail

Pos: 160	Max: >1
Detail - Optional	
Loop: IT1	Elements: 2

User Option (Usage): Used

To specify transportation details for the transaction

Element Summary:

<u>Ref</u>	<u>Id</u>	<u>Element Name</u>	<u>Req</u>	<u>Type</u>	<u>Min/Max</u>	<u>Usage</u>
CAD04	140	Standard Carrier Alpha Code	X	ID	2/4	Used
Description: Standard Carrier Alpha Code						
CAD05	387	Routing	X	AN	1/35	Used
Description: Free-form description of the routing or requested routing for shipment, or the originating carrier's identity						

Syntax Rules:

1. R0504 - At least one of CAD05 or CAD04 is required.
2. C0708 - If CAD07 is present, then CAD08 is required.

TDS Total Monetary Value Summary

Pos: 010	Max: 1
Summary - Mandatory	
Loop: N/A	Elements: 1

User Option (Usage): Must use

To specify the total invoice discounts and amounts

Element Summary:

<u>Ref</u>	<u>Id</u>	<u>Element Name</u>	<u>Req</u>	<u>Type</u>	<u>Min/Max</u>	<u>Usage</u>
TDS01	610	Amount	M	N2	1/15	Must use

Description: Monetary amount

Semantics:

1. TDS01 is the total amount of invoice (including charges, less allowances) before terms discount (if discount is applicable).
2. TDS02 indicates the amount upon which the terms discount amount is calculated.
3. TDS03 is the amount of invoice due if paid by terms discount due date (total invoice or installment amount less cash discount).
4. TDS04 indicates the total amount of terms discount.

Comments:

1. TDS02 is required if the dollar value subject to discount is not equal to the dollar value of TDS01.

TXI Tax Information

Pos: 020	Max: 10
Summary - Optional	
Loop: N/A	Elements: 2

User Option (Usage): Used

To specify tax information

Element Summary:

<u>Ref</u>	<u>Id</u>	<u>Element Name</u>	<u>Req</u>	<u>Type</u>	<u>Min/Max</u>	<u>Usage</u>
TXI01	963	Tax Type Code	M	ID	2/2	Must use
Description: Code specifying the type of tax						
Code Name						
GS Goods and Services Tax						
SP State/Provincial Tax						
TX All Taxes						
TXI02	782	Monetary Amount	X	R	1/18	Used
Description: Monetary amount						

Syntax Rules:

1. R020306 - At least one of TXI02, TXI03 or TXI06 is required.
2. P0405 - If either TXI04 or TXI05 is present, then the other is required.
3. C0803 - If TXI08 is present, then TXI03 is required.

Semantics:

1. TXI02 is the monetary amount of the tax.
2. TXI03 is the tax percent expressed as a decimal.
3. TXI07 is a code indicating the relationship of the price or amount to the associated segment.

Loop SAC

Pos: 040	Repeat: 25
Optional	
Loop: SAC Elements: N/A	

User Option (Usage): Used

To request or identify a service, promotion, allowance, or charge; to specify the amount or percentage for the service, promotion, allowance, or charge

Loop Summary:

<u>Pos</u>	<u>Id</u>	<u>Segment Name</u>	<u>Req</u>	<u>Max Use</u>	<u>Repeat</u>	<u>Usage</u>
040	SAC	Service, Promotion, Allowance, or Charge Information	O	1		Used

SAC Service, Promotion, Allowance, or Charge Information

Pos: 040	Max: 1
Summary - Optional	
Loop: SAC	Elements: 4

User Option (Usage): Used

To request or identify a service, promotion, allowance, or charge; to specify the amount or percentage for the service, promotion, allowance, or charge

Element Summary:

<u>Ref</u>	<u>Id</u>	<u>Element Name</u>	<u>Req</u>	<u>Type</u>	<u>Min/Max</u>	<u>Usage</u>
SAC01	248	Allowance or Charge Indicator	M	ID	1/1	Must use

Description: Code which indicates an allowance or charge for the service specified

Code Name

C Charge

SAC02	1300	Service, Promotion, Allowance, or Charge Code	X	ID	4/4	Used
-------	------	--	---	----	-----	------

Description: Code identifying the service, promotion, allowance, or charge

Code Name

D240 Freight

D980 Insurance

H740 Tax - Sales and Use

SAC05	610	Amount	O	N2	1/15	Used
-------	-----	---------------	---	----	------	------

Description: Monetary amount

SAC12	331	Allowance or Charge Method of Handling Code	O	ID	2/2	Used
-------	-----	--	---	----	-----	------

Description: Code indicating method of handling for an allowance or charge

Code Name

02 Off Invoice

03 Vendor Check to Customer

04 Credit Customer Account

05 Charge to be Paid by Vendor

06 Charge to be Paid by Customer

Syntax Rules:

1. R0203 - At least one of SAC02 or SAC03 is required.
2. P0304 - If either SAC03 or SAC04 is present, then the other is required.
3. P0607 - If either SAC06 or SAC07 is present, then the other is required.
4. P0910 - If either SAC09 or SAC10 is present, then the other is required.
5. C1110 - If SAC11 is present, then SAC10 is required.
6. L130204 - If SAC13 is present, then at least one of SAC02 or SAC04 is required.
7. C1413 - If SAC14 is present, then SAC13 is required.

8. C1615 - If SAC16 is present, then SAC15 is required.

Semantics:

1. If SAC01 is "A" or "C", then at least one of SAC05, SAC07, or SAC08 is required.
2. SAC05 is the total amount for the service, promotion, allowance, or charge.
3. If SAC05 is present with SAC07 or SAC08, then SAC05 takes precedence.
4. SAC08 is the allowance or charge rate per unit.
5. SAC10 and SAC11 is the quantity basis when the allowance or charge quantity is different from the purchase order or invoice quantity.
6. SAC10 and SAC11 used together indicate a quantity range, which could be a dollar amount, that is applicable to service, promotion, allowance, or charge.
7. SAC13 is used in conjunction with SAC02 or SAC04 to provide a specific reference number as identified by the code used.
8. SAC14 is used in conjunction with SAC13 to identify an option when there is more than one option of the promotion.
9. SAC16 is used to identify the language being used in SAC15.

Comments:

1. SAC04 may be used to uniquely identify the service, promotion, allowance, or charge. In addition, it may be used in conjunction to further the code in SAC02.
2. In some business applications, it is necessary to advise the trading partner of the actual dollar amount that a particular allowance, charge, or promotion was based on to reduce ambiguity. This amount is commonly referred to as "Dollar Basis Amount". It is represented in the SAC segment in SAC10 using the qualifier "DO" - Dollars in SAC09.

CTT Transaction Totals

Pos: 070	Max: 1
Summary - Optional	
Loop: N/A	Elements: 2

User Option (Usage): Must use

To transmit a hash total for a specific element in the transaction set

Element Summary:

<u>Ref</u>	<u>Id</u>	<u>Element Name</u>	<u>Req</u>	<u>Type</u>	<u>Min/Max</u>	<u>Usage</u>
CTT01	354	Number of Line Items	M	N0	1/6	Must use
CTT02	347	Hash Total	O	R	1/10	Future

Description: Total number of line items in the transaction set

Description: Sum of values of the specified data element. All values in the data element will be summed without regard to decimal points (explicit or implicit) or signs. Truncation will occur on the left most digits if the sum is greater than the maximum size of the hash total of the data element. Example: -.0018 First occurrence of value being hashed. .18 Second occurrence of value being hashed. 1.8 Third occurrence of value being hashed. 18.01 Fourth occurrence of value being hashed. ----- 1855 Hash total prior to truncation. 855 Hash total after truncation to three-digit field.

Syntax Rules:

1. P0304 - If either CTT03 or CTT04 is present, then the other is required.
2. P0506 - If either CTT05 or CTT06 is present, then the other is required.

Comments:

1. This segment is intended to provide hash totals to validate transaction completeness and correctness.

SE Transaction Set Trailer

Pos: 080	Max: 1
Summary - Mandatory	
Loop: N/A	Elements: 2

User Option (Usage): Must use

To indicate the end of the transaction set and provide the count of the transmitted segments (including the beginning (ST) and ending (SE) segments)

Element Summary:

<u>Ref</u>	<u>Id</u>	<u>Element Name</u>	<u>Req</u>	<u>Type</u>	<u>Min/Max</u>	<u>Usage</u>
SE01	96	Number of Included Segments	M	NO	1/10	Must use
		Description: Total number of segments included in a transaction set including ST and SE segments				
SE02	329	Transaction Set Control Number	M	AN	4/9	Must use
		Description: Identifying control number that must be unique within the transaction set functional group assigned by the originator for a transaction set				

Comments:

1. SE is the last segment of each transaction set.

GE Functional Group Trailer

Pos:	Max: 1
Not Defined - Mandatory	
Loop: N/A	Elements: 2

User Option (Usage): Must use

To indicate the end of a functional group and to provide control information

Element Summary:

<u>Ref</u>	<u>Id</u>	<u>Element Name</u>	<u>Req</u>	<u>Type</u>	<u>Min/Max</u>	<u>Usage</u>
GE01	97	Number of Transaction Sets Included	M	N0	1/6	Must use
		Description: Total number of transaction sets included in the functional group or interchange (transmission) group terminated by the trailer containing this data element				
GE02	28	Group Control Number	M	N0	1/9	Must use
		Description: Assigned number originated and maintained by the sender				

Semantics:

1. The data interchange control number GE02 in this trailer must be identical to the same data element in the associated functional group header, GS06.

Comments:

1. The use of identical data interchange control numbers in the associated functional group header and trailer is designed to maximize functional group integrity. The control number is the same as that used in the corresponding header.

IEA Interchange Control Trailer

Pos:	Max: 1
Not Defined - Mandatory	
Loop: N/A	Elements: 2

User Option (Usage): Must use

To define the end of an interchange of zero or more functional groups and interchange-related control segments

Element Summary:

<u>Ref</u>	<u>Id</u>	<u>Element Name</u>	<u>Req</u>	<u>Type</u>	<u>Min/Max</u>	<u>Usage</u>
IEA01	I16	Number of Included Functional Groups	M	N0	1/5	Must use
Description: A count of the number of functional groups included in an interchange						
IEA02	I12	Interchange Control Number	M	N0	9/9	Must use
Description: A control number assigned by the interchange sender						